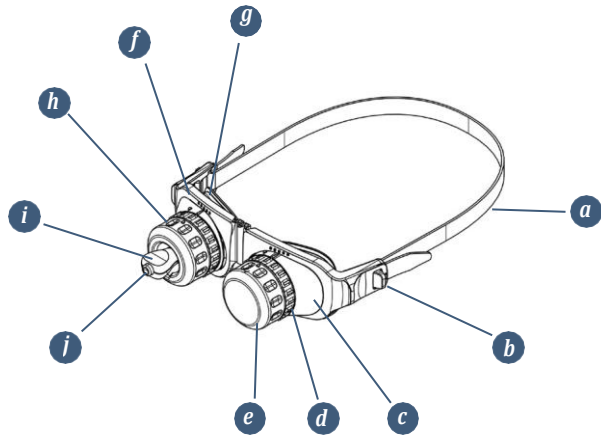
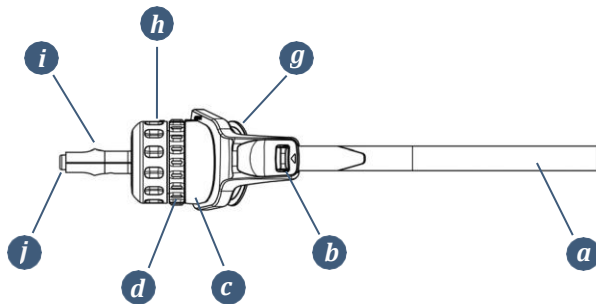


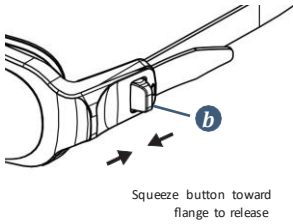
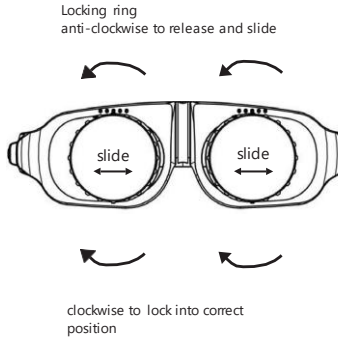
Vesticam2 IR video goggles



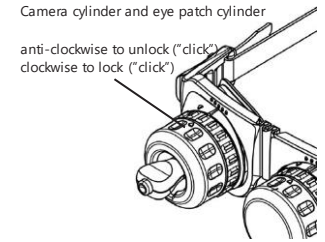
- a** silicone head band
- b** quick release side buttons
- c** mounting plate - adjusts for interpupillary variation
- d** locking ring
- e** eye patch cylinder
- f** flexible goggles frame
- g** silicone eye cups - removeable and reusable
- h** camera cylinder - with infra-red USB camera and fixation light
- i** joystick - for focus and fine adjustment
- j** fixation light button



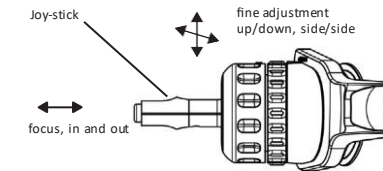
Setting up Vesticam2 IR video Goggles on your patient

- 1** Start with the camera cylinder and eye patch cylinder off...not attached to the goggles
- 2** Follow your normal patient hygiene pathways when applying the goggles. Use effective alcohol/anti-microbial wipes to **clean goggles face plate **f**, silicone eye cups **a** and head band **g** before and after each patient.** Do not use on patients with infective disorders. (see also 3.1.2 "Cleaning and avoiding contamination" and Appendix 1 full instruction manual)
- 3** The goggles are comfortable, high quality and flexible enough to fit most face shapes and sizes. **Loosen the head strap** by squeezing the **quick release buttons **b**** and the goggles flange together
 
- 4** Help your patient to **position the goggles for comfort.** Most patients can do this themselves, like swimming goggles.
- 5** **To adjust for interpupillary distance,** loosen the locking rings **d** at the front of the mounting plate by turning anti-clockwise. Allow the mounting plates **c** to slide into a comfortable position on your patient's face. Your patient should be able to see out of both viewing holes.
 
- 6** Pull rubber tags at each side of goggles gently **to tighten the headband, and then lock the mounting plates into place** by firmly tightening the locking rings in a clockwise direction.
- 7** Hold the camera cylinder **h** so that the lead is exiting the cylinder at "5 o'clock". **Insert the camera cylinder into the mounting plate,** and rotate it clockwise until the camera cylinder "clicks" and locks into place (lead should be at "6 o'clock" when locked).

- 8** If you cannot see your patient's eye completely on the viewing screen, simply loosen the locking ring, realign the camera, and retighten the locking ring.



- 9** **To focus and fine tune eye position** use one hand to stabilize the camera cylinder and the other hand to **move the camera joystick **i** up/down and side/side until the eye image is central on screen.** Firmly **pull camera joystick in/out to focus the image of the iris and edge of the pupil.** The camera cannot be pushed into the eye as there is an end stop. It is important to focus the eye to ensure that possible torsion is visible.



- 10** To deny vision, slip the eye patch cylinder **e** into the remaining mounting plate. Twist the cylinder clockwise and "click" to lock into place.

FIXATION LIGHT:

Press the small button **j** at the end of the joystick to activate the fixation light. When the button is **IN**, the fixation light is **ON**. When the button is **OUT**, the fixation light is **OFF**. **NOTE:** the fixation light will only work when the camera is plugged into the external recording device (phone, tablet or computer).

Vesticam2 goggles are designed to be light tight. Adjust the goggles with your patient so they are comfortable, secure, light tight, and firm. If there is any light leaking into the goggles at this point, check that the camera cylinder and eye patch cylinder are correctly in place. If there is still light leakage, gently move the goggles on your patient's face to eliminate any gaps between face and goggles.

General care:

Avoid heating over 40oC. Never leave your Vesticam unit in a hot car.

Avoid dropping your Vesticam unit or recording device.

Keep the camera dry at all times.

As Vesticam IR goggle units are not “therapeutic or diagnostic tools” and do not provide a measurement or trace, they do not require regular calibration. For Vesticam2 servicing or repair contact support@vesticam.com

Do not use the Vesticam IR goggle unit if it is showing any signs of damage. If you are unsure, please contact Vesticam support (support@vesticam.com)

Take care when connecting and disconnecting the camera or any adaptors to your recording device. The USB ports can be damaged if not used correctly.

Please follow your normal service and maintenance pathways for maintenance of the charging attachments and usb 240v wall socket charger supplied with your recording device.

Lock your Vesticam unit with your other medical equipment/medical records after use. Remember that your recording device may contain videos of your patients, and these should be treated as medical records.

IMPORTANT: it is the user’s responsibility to follow their usual medical record pathways and recommendations for storing patient eye movement videos. To secure patient data it is important to regularly transfer patient videos into the usual or required medical record storage system.

Vesticam2 cleaning and avoiding contamination

Follow your normal patient infection control pathways when applying Vesticam goggles. Use of PPE and general environmental cleaning is the responsibility of the user.

Use of Vesticam IR video goggles may be contraindicated in patients who are infectious or have broken skin.

Remove the camera cylinder prior to cleaning.

Use effective anti-microbial and antibacterial wipes (or alcohol wipes) to wipe over and clean the silicone eye cups, goggles mounting plate, head band and any exposed surfaces before and after each patient. Allow the goggles to sit for 60 seconds, and to air dry before use.

Do not autoclave. Do not use hard or pointed objects to clean any part of the Vesticam unit.

Do not allow liquid to enter any part of the goggles camera unit. The **Vesticam camera lens** (visible when looking into the camera cylinder) should be checked regularly for stains and dust, and should be cleaned as required using a standard spectacle lens cloth.

The silicone eye cups can be removed, washed and air dried separately and then placed back onto the mounting plate if required. Extra eye cups are available for purchase.

The goggles mounting plate, head band and eye cups can be immersed in gentle cleaning detergent, rinsed and allowed to air dry completely if required.

If you have questions, concerns or feedback, please contact Vesticam
p: 1300141488
e: support@vesticam.com
w: www.vesticam.com

Vesticam model #: _____

Serial # _____

Checked: _____/_____/_____



An accessible, reliable, and portable video frenzel solution



**Quick Start manual
Vesticam2 IR video goggles**